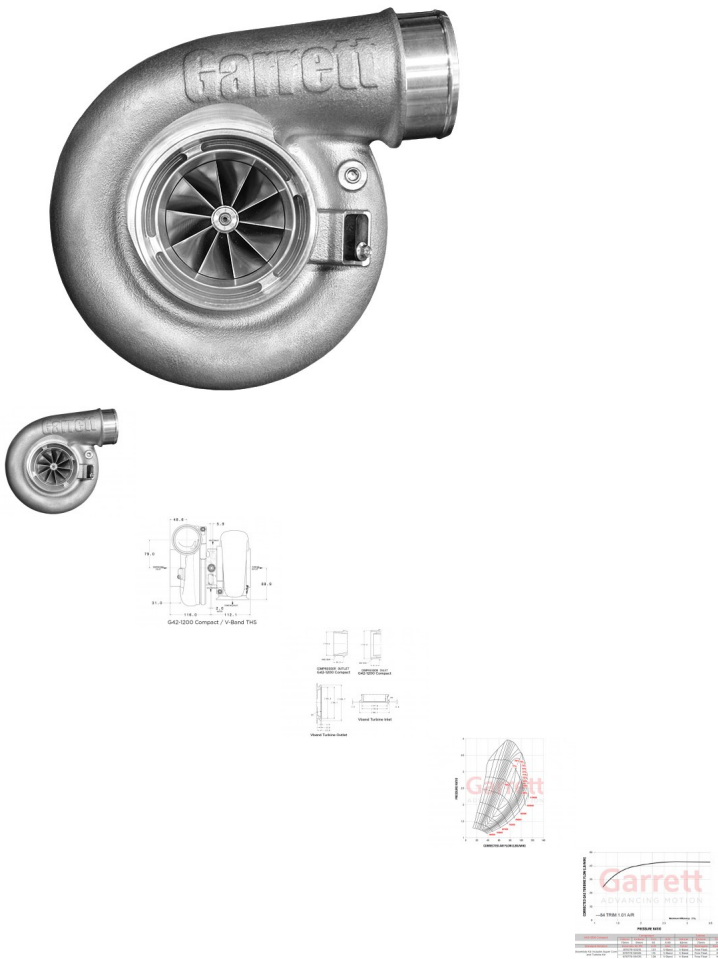


Garrett G42-1200 Compact V-Band Inlet/Outlet 1.15a/r



Oil and Water Cooled, Ball Bearing, 475-1200hp, 2.0L - 7.0L Applications

Rating: Not Rated Yet

Price

Base price with tax \$ 4950.00

Sales price \$ 4950.00

Sales price without tax \$ 4500.00

Tax amount \$ 450.00

[Ask a question about this product](#)

Manufacturer [Garrett Advancing Motion](#)

Description

AVAILABLE FOR PRE ORDER ETA Q1 2019 LIMITED STOCK



- **Bearing Type:** Ball Bearing
- **Cooling System:** Oil & Water Cooled
- **Turbine Housing:** Externally Wastegated, 1.15a/r
- **Base Flange:** V-Band Single Entry
- **Horsepower:** 475-1200hp
- **Displacement:** 2.0L - 7.0L

Features of the Garrett G42 Compact Series:

- Garrett® G Series Compressor Aerodynamics for maximum HP (10 Blade)
- 109Lbs/Min Compressor Flow
- 0.90a/r Compressor Housing
- Stainless Steel Non Wastegated Turbine Housing rated up to 950°C
- **-6AN Water Fittings Included**
- CFD (Computational Fluid Dynamics) engineered compressor wheel
- Optimized blade contour with 10 blade count
- Forged & fully-machined compressor wheel
- More power and faster boost response
- Smaller Wheel = lower inertia
- Aluminium backplate for reduced weight
- Twin Piston Rings Compressor & turbine End
- 10mm Ceramic Dual Ball Bearing Cartridge
- The turbine wheel features all new aerodynamics to improve flow and boost response
- Turbine Wheel features Inconel super alloy construction for temperatures up to 950C
- Turbine housings are made from stainless steel to provide ultimate durability and temperature capability up 950°C

Units in box: 1

Reviews

There are no reviews for this product yet.